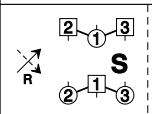
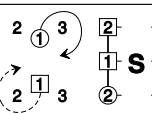
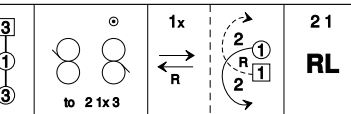
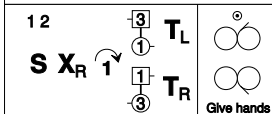
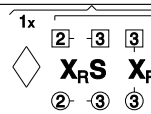
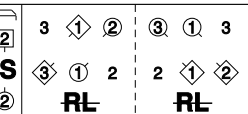
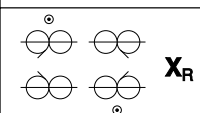
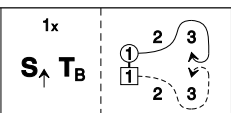
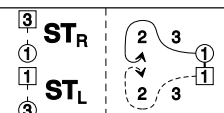
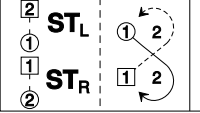
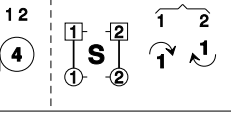
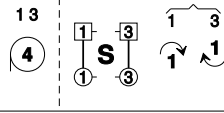
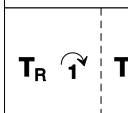
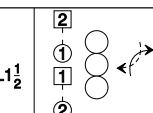
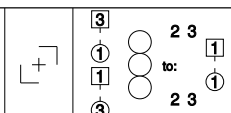


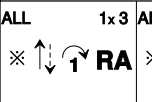
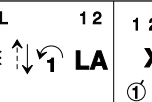
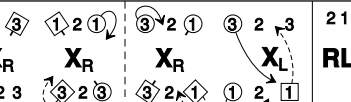
# Fairmilehead, Edinburgh, 8 August 2023

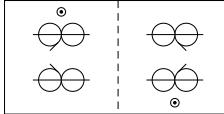
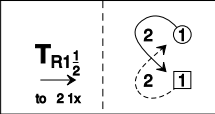
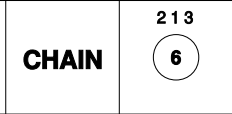
THE SAILOR		8x32 R
		
RSCDS Book 24.4		3C/4C longwise set.

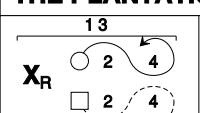
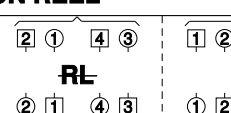

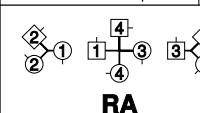
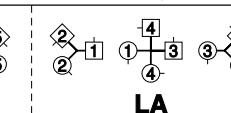
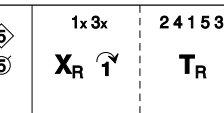
KILKENNY CASTLE		8x32 S
		
Bill Forbes, Craiglevar Book 2		3C/4C longwise set.

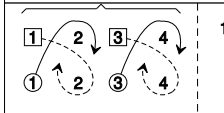
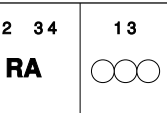
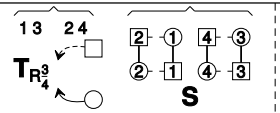
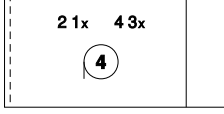
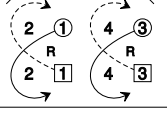
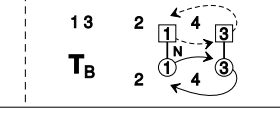
THE MORAY RANT		3x48 S
		
		
John Drewry, 1968, Silver City		3C/3C longwise set.

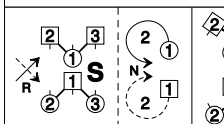
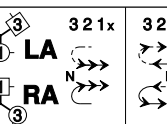
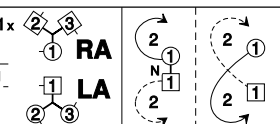
THE WHITE HEATHER JIG		4x40 J
		
James Cosh, 22 SCDs, RSCDS Thirty Popular Dances Vol 2		4C/4C longwise set.

HOOPEY'S JIG		8x32 J
ALL	1x 3 ALL	1 2
		
RSCDS MMM (34), RSCDS Thirty Popular Dances Vol 2		3C/4C longwise set.

MRS MACPHERSON OF INVERAN		8x32 R
		
John Drewry, 1964, Bon Accord Book		3C/4C longwise set.

THE PLANTATION REEL		5x32 R
		
		
Tony Moretti, Pinewoods 2		5C/5C longwise set.

THE BELLE OF BON ACCORD		4x32 S
		
		
John Drewry, 1981, Deeside Book 2		4C/4C longwise set.

SHIFTIN' BOBBINS		8x32 R
		
Roy Clowes, Ormskirck Book 6, RSCDS Thirty Popular Dances Vol 2		3C/4C longwise set.